

Demonstrators & Batteries

Before, During and After SCCER Mobility

Applications

E-Motorrad



E-Traktor



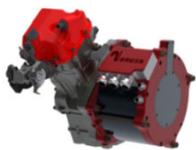
E-Dumper



16t Solar
8h auto-
nomous



Skoda Octavia



Range-
Extender

Brusa Spider



2020

2019

2017

2015

2014

2010

2007

OST – Ostschweizer Fachhochschule

Max Stöck, +41 58 257 34 29, max.stoock@ost.ch

Gerhard Rizzo, +41 58 257 34 67, gerhard.rizzo@ost.ch

Rouven Christen, +41 58 257 4301, rouven.christen@ost.ch

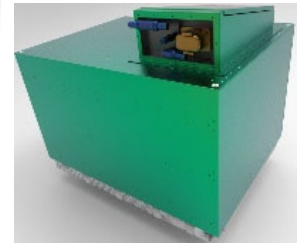
Cornel Pfister, +41 58 257 33 95, cornel.pfister@ost.ch

Batteries

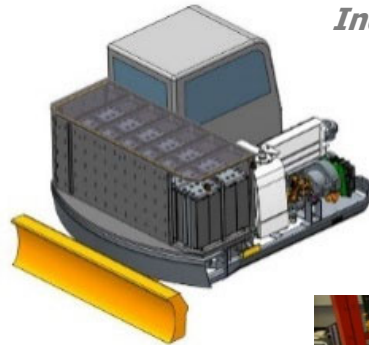


133 kWh LKW
Battery

E-Dumper
Battery



Inductive Charging
22 kW



Bagger-Batterie 2.0
200 kWh Battery



Water cooled



Water cooled,
16kWh, flat

Air-Water cooled



Partners